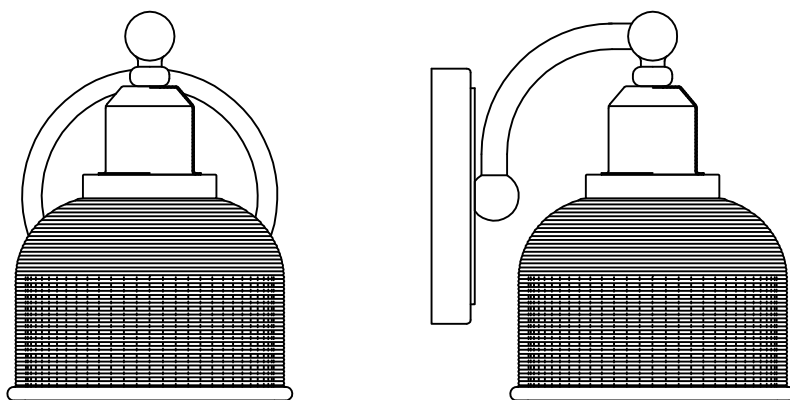




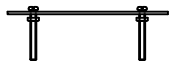
PRODUCT NAME: Hollow 1LT Wall Sconce  
NUMBER: 11321

Please consult your electrician for Hang fixture and wiring.



Bulb (Not included) : 1\*MB 60W

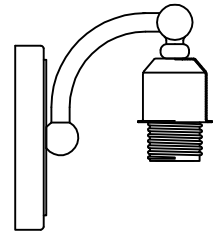
**IMPORTANT:** Turn off power at the main fuse or circuit breaker box before starting installation



(A) Bracket

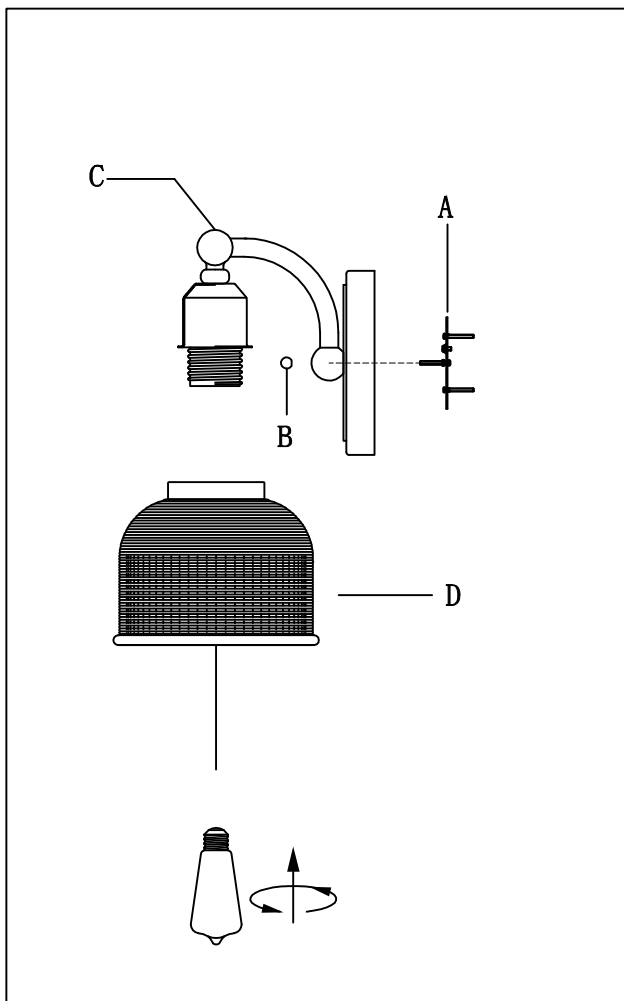


(B) Ball nut

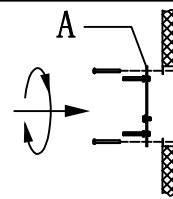


(C) Body&Socket

**Locate all hardware & components before discarding packaging**

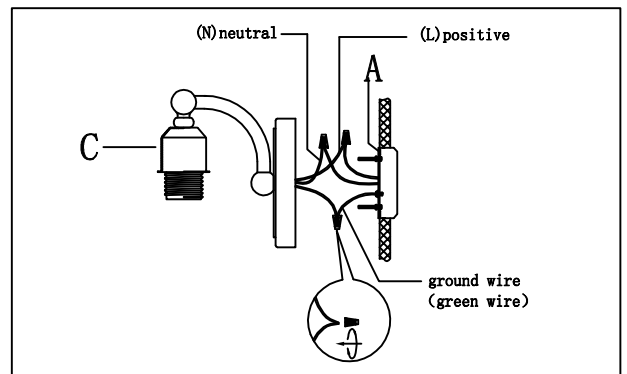


1.)



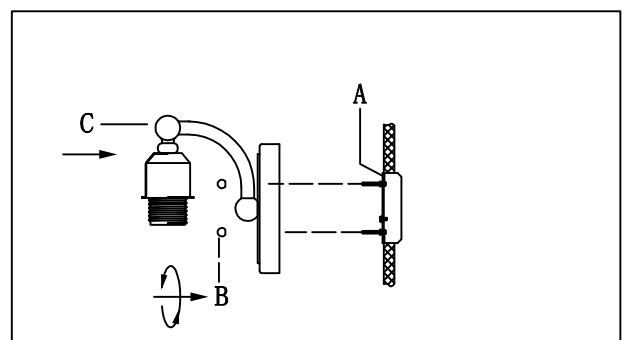
**Step. 1:** Remove mounting bracket (A) from fixture and install to electrical box.

2.)



**Step. 2:** Wire fixture to wires in outlet box. Copper/Green wire is for Ground.

3.)

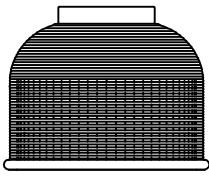


**Step. 3:** Install fixture to bracket (A) and tighten ball nuts (B) on the backplate to secure.

**Cleaning & Care:**

Clean with soft cloth and a mild detergent.  
Do not use abrasive cleaner.

**IMPORTANT:** Turn off power at the main fuse or circuit breaker box before starting installation

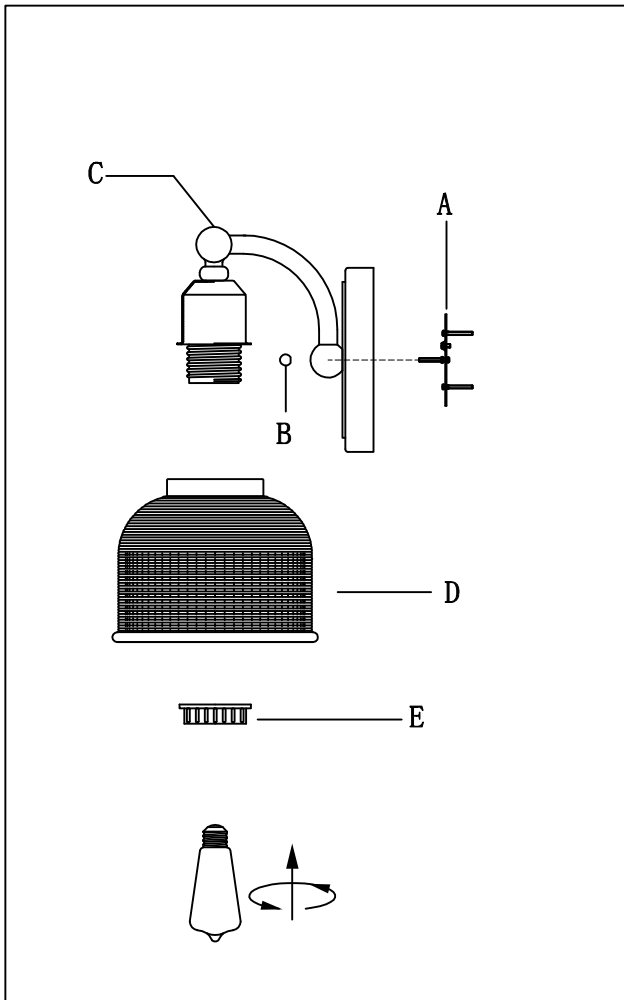


(D) Glass

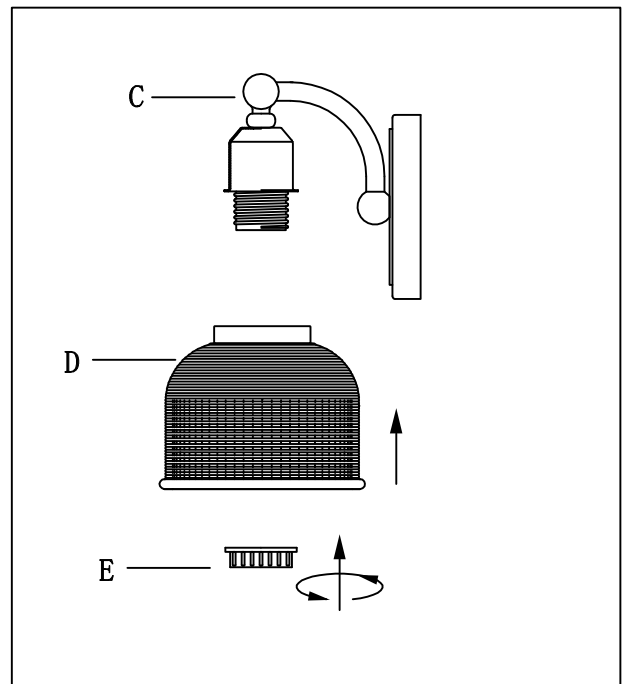


(E) Socket ring

**Locate all hardware & components before discarding packaging**



4.)



**Step. 4:** Use the socket ring (E) to secure glass (D) on socket (C).

**Cleaning & Care:**

Clean with soft cloth and a mild detergent.  
Do not use abrasive cleaner.